

## Specification sheet LX 3047

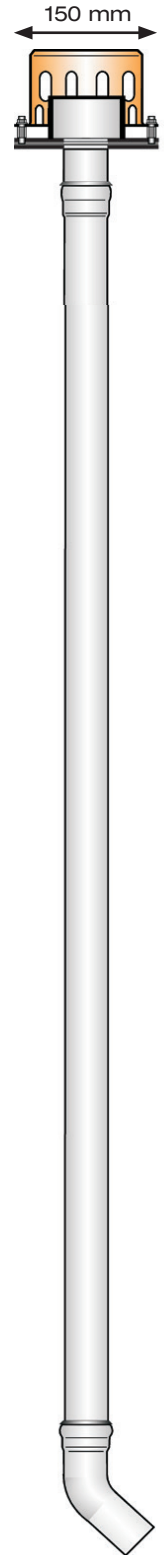
### Roof Drainage LORO-DRAINJET® Mini DN 70 weir height 40 mm in box gutter from 150 mm

**Emergency drainage**

**Gravity flow**

**Silent Power**

<b>Discharge rate:</b>	<b>6.0 l/s</b>
<b>Water height:</b>	<b>75 mm</b>
<b>Roof penetration:</b>	<b>-</b>
<b>Diameter:</b>	<b>DN 70</b>
<b>LX-Number:</b>	<b>LX 3047</b>
<b>Weir height:</b>	<b>40 mm</b>
<b>Drain:</b>	<b>ventilated</b>
<b>Downpipe:</b>	<b>not ventilated</b>
<b>Downpipe height:</b>	<b>4.2 m</b>
<b>Drainage:</b>	<b>into the open</b>
<b>Flange:</b>	<b>clamping flange</b>



#### LX 3047 Piece list

1 x Art.-No. 21119.070X, DRAINLET® Mini DN 70

1 x Art.-No. 00320.070X, LORO-X bend

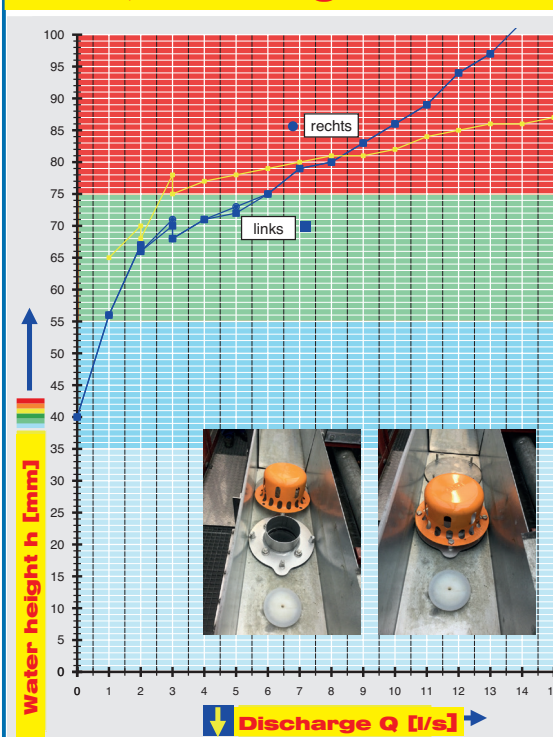
1 x Art.-No. 01011.070X, LORO-X pipe with one socket

2 x Art.-No. 00911.070X, LORO-X sealing element

2 x Art.-No. 00806.070X, LORO-X anchor clip

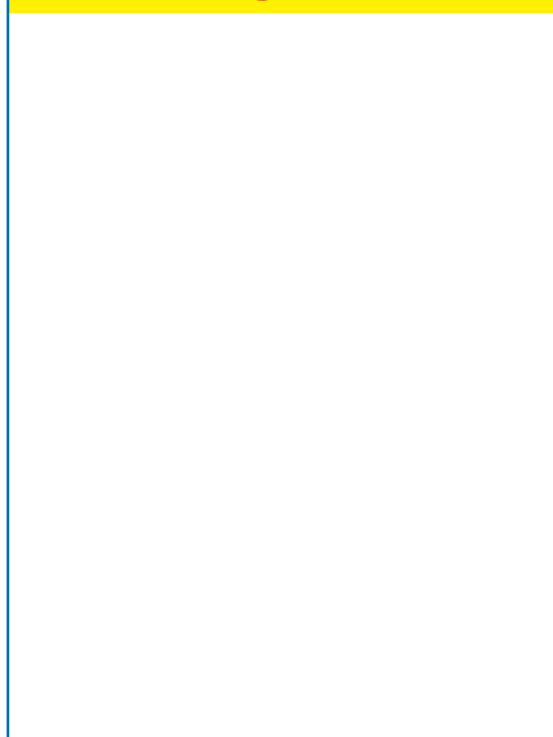
1 x Art.-No. 00986.000X, LORO-X lubricant

#### hQ - Discharge curve



**System power**

#### CAD



**System shape**

Water height	mm	20	25	30	35	40	45	50	55	60	65	70	75	80	85	90	95	100
Discharge	l/s	-	-	-	-	-	-	-	-	-	1.4	2.8	5.0	7.0	9.0	10.8	12.3	13.8
<b>Silent Power</b>																		

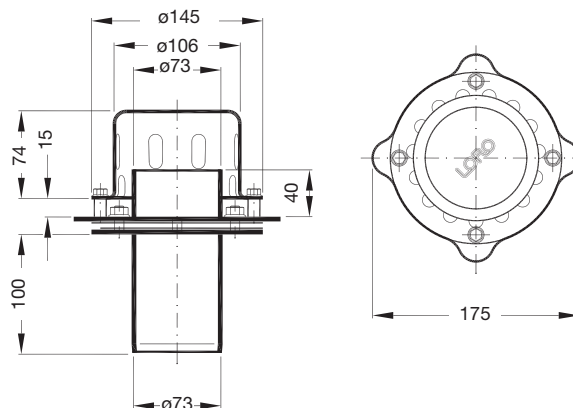
#### LORO-DRAINLET® Mini, DN 70

##### LORO-X DRAINLET® Mini

with clamping flange for  
weir height 40 mm,  
box gutter  
drain: Art.-No. 21119.070X



**LX3047-5X**



##### LORO-X bend 45°

made of galvanized steel, DN 70  
Art.-No. 00320.070X  
weight: 0.8 kg



##### LORO-X pipe with one socket

made of galvanized steel, DN 70  
4000 mm long  
Art.-No. 01011.070X  
weight: 12.0 kg



##### LORO-X anchor clip

made of galvanized steel, DN 70  
Art.-No. 00806.050X  
weight: 0.3 kg



##### LORO-X sealing element

Art.-No. 00911.070X  
weight: 0.2 kg

